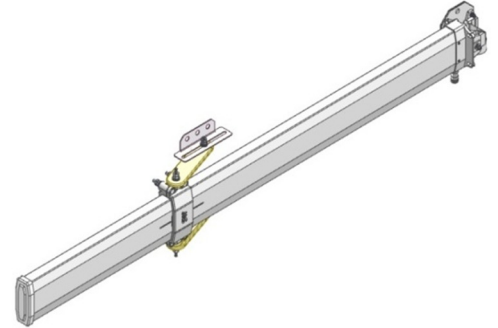


Multi-Band Yagi Antenna(터널용)

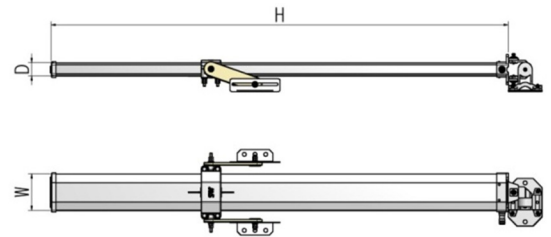
819 ~ 960, 1710~2690 MHz / 8 dBi, 14dBi

CPWW-YG-814

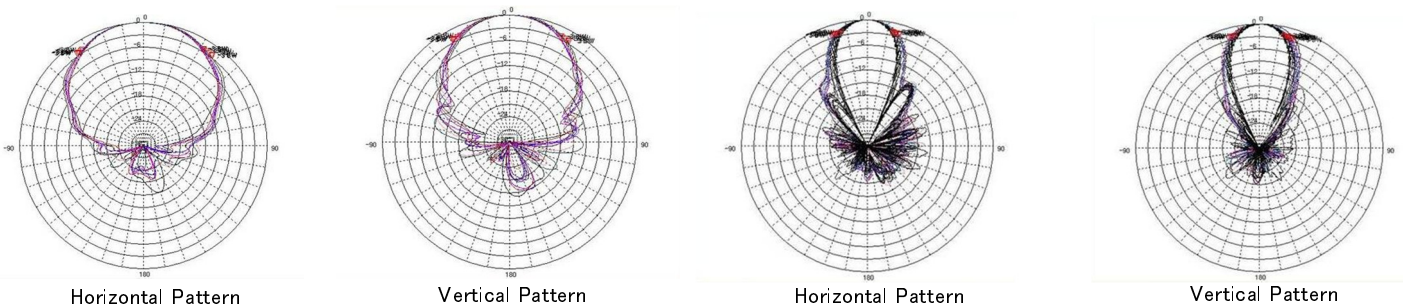
i. Electrical Specification		
Frequency Range (MHz)	819 ~ 960	1710 ~ 2690
Polarization	Vertical	Vertical
Band Width	141 MHz	980 MHz
Gain	≥ 8 dBi	≥ 14 dBi
Beam width	Horizontal	60 ~ 130°
	Vertical	40 ~ 90°
F-B ratio (Horizontal & Vertical)	10dB @ 180 ± 30°	15dB @ 180 ± 30°
VSWR	1 : 1.6	1 : 1.5
Impedance	50 Ω	
IMD (3rd)	≤ -140dBc @ 2x40dBm	
IMD (5th)	≤ -160dBc @ 2x40dBm	
Maximum input power	100 W	



ii. Mechanical Specification	
Radom Dimension (HxWxD)	100 x 40 x 1085 mm
Weight (Exclude bracket)	≤ 1.7 Kg
Connector Type	N-J (Female)
Withstand Wind Pressure	30 m/sec
Radome Material	ASA
Radome Color	White
Mechanical Down Tilt	Up, Down ± 30°
	Left, Right ± 30°
Temperature	-40 °C ~ 70 °C
Packing Size (H x W x D)	-
Packing Weight	-



iii. Radiation Pattern



Low Band

High Band